

Specification

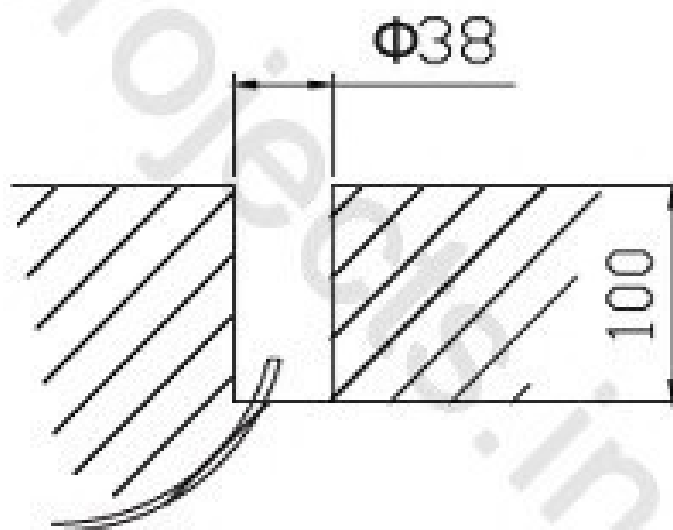
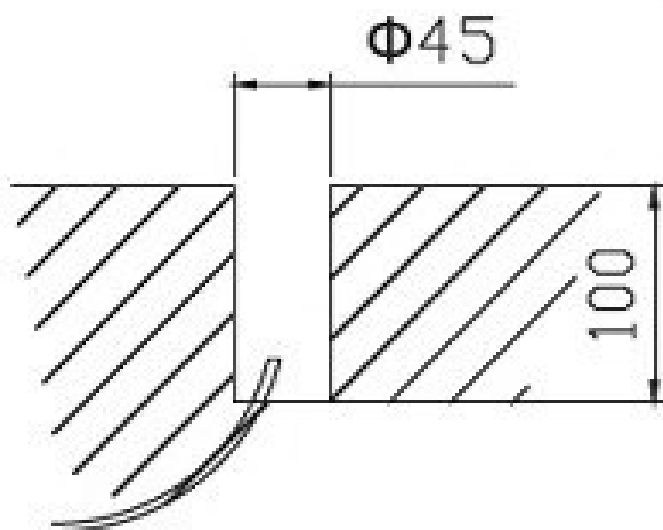
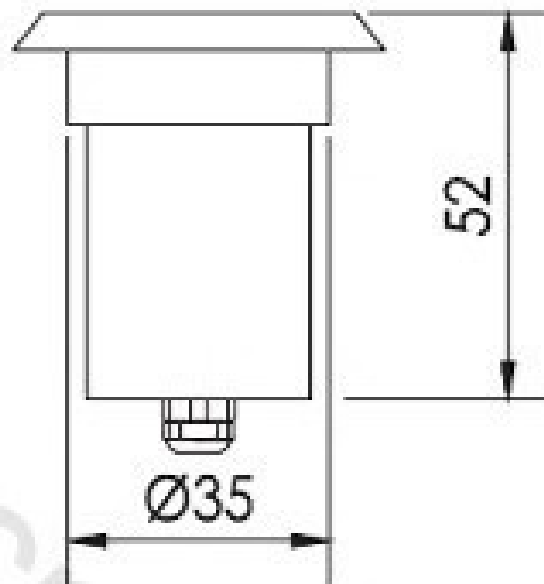
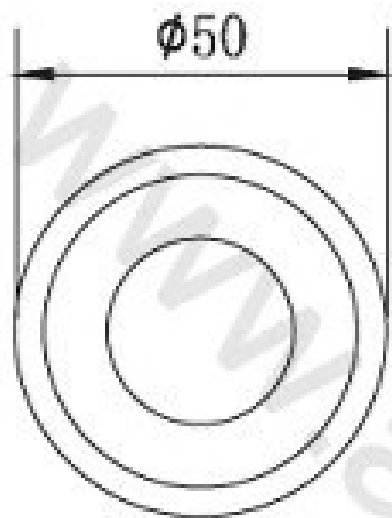
Product Code	21005A-1
LED Brand	CREE
LED Quantity	1pc
Rated Power	1.5W
Input Voltage	DC12V / DC24V / AC100-240V
Frequency Range	50/60Hz
Color	RGB/Single
Beam Angle	120° 12.5° 20° 30° 45°
Control Mode	DMX512/PWM/CC
Life	50000H
Protection Grade	IP67
Ambient Temperature	- 25°C ~ 50°C
Ambient Humidity	10% ~ 90%



Inground Light Series

21005





With embedded parts

Not with embedded parts